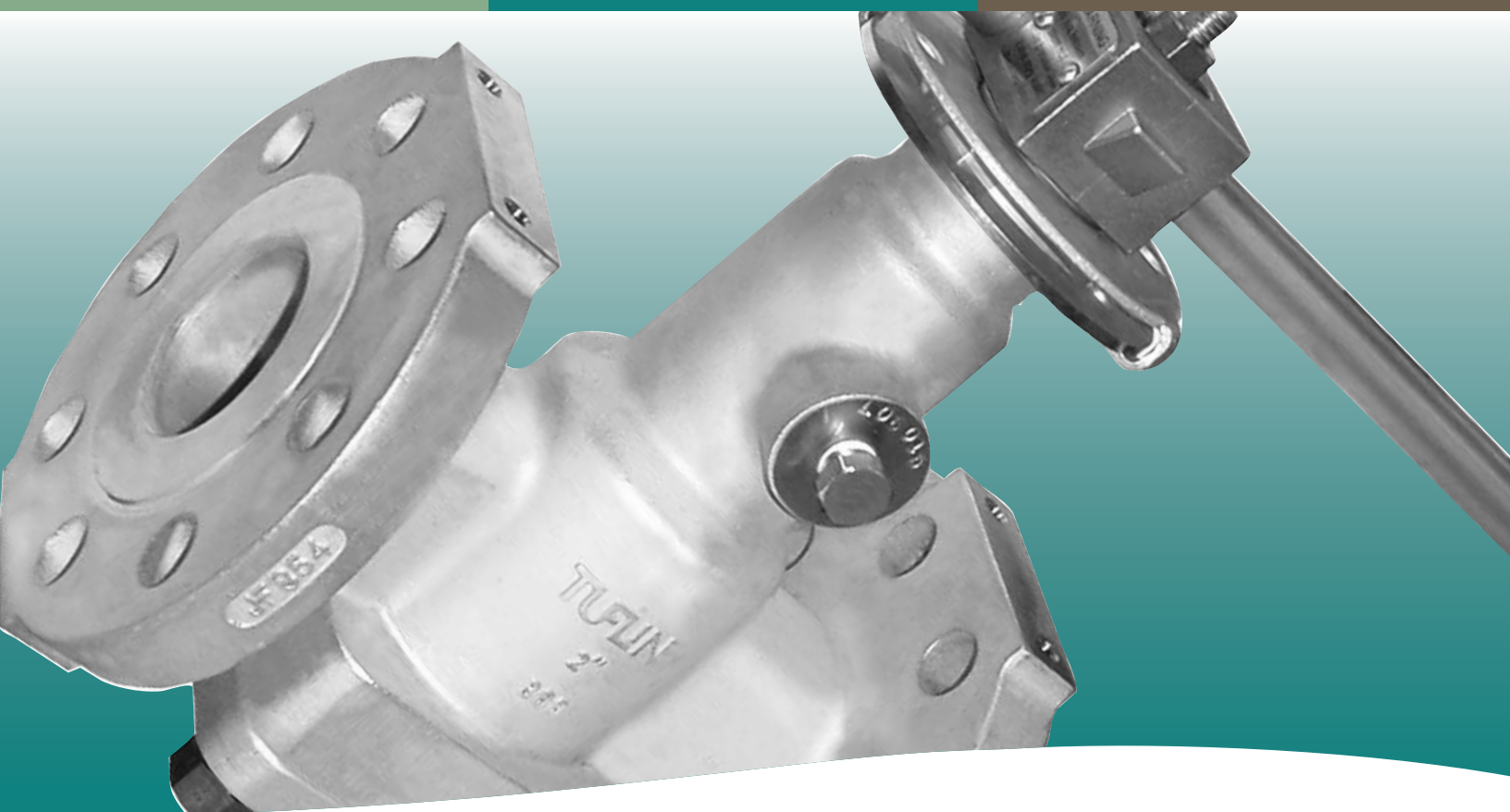


XOMOX[®]

brands you trust.



Tuflin[®] Severe Service Valves

CRANE[®]

ChemPharma Flow Solutions

www.cranepharmasolutions.com

Tufline Severe Service Valves

You are assured of superior sealing in hazardous applications, even with extreme thermal cycling conditions.

More Tufline valves which have been specifically designed for hazardous applications and fugitive emissions control have been in service longer than those of any other manufacturer.

Breathe easier.

Xomox offers the broadest line of valves for handling hazardous media and controlling fugitive emissions.

With this breadth of selection, Tufline can provide optimum and economical valving to meet your specific requirements.

More importantly, Tufline valving is designed to pay off with long-term, reliable, low-maintenance service life.



Built through processor partnerships.

The Tufline Severe Service valve was developed by working in close cooperation with major processors of hazardous materials. Continuing cooperation has led to further improvements.



Designed, not adapted.

This unique valve was designed from the ground up specifically for the most demanding applications.

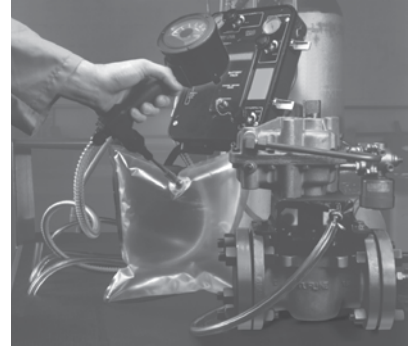
While it employs numerous aspects of the best available technology, its distinctive design puts it in a class by itself.

Patented and proven.

This patented valve has proven itself with years of reliable performance in the most carefully monitored processing applications in the world.

Put Tufline Valves to the test

For valves in demanding processing applications, real value is . . . performance over time.



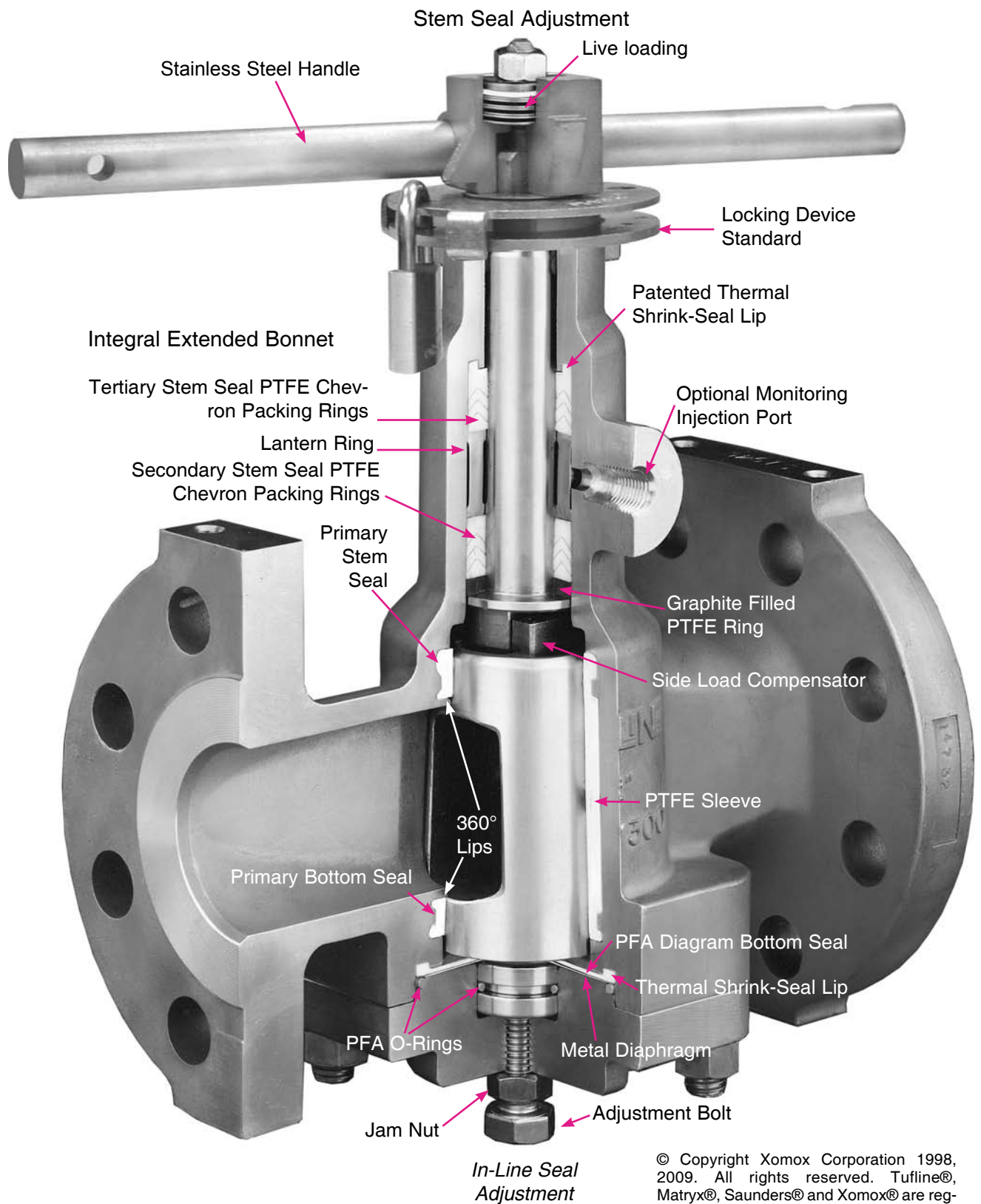
Emissions control leadership.

Xomox strongly champions testing procedures that will precisely evaluate valve emissions control performance, over time, in realistic applications.



Problem solvers. Talk with a Xomox Sales Engineer about any aspect of your fluid handling system. You will get process-improving answers.

Your Xomox Sales Engineer has the proven products and is backed by the technical expertise to help solve your toughest fluid handling problems.



© Copyright Xomox Corporation 1998, 2009. All rights reserved. Tuffline®, Matryx®, Saunders® and Xomox® are registered trademarks of the Xomox Corporation. XRP™ is a trademark of the Xomox Corporation. Crane® is a registered trademark of the Crane Co. Company.

Patented external sealing system.

An exceptionally tight and continuous external seal is a must when processing hazardous media in rigorous thermal cycling conditions.

The unique, integral extended bonnet enhances sealing.

In extreme frigid or thermal cycling conditions PTFE packing will shrink. Packing shrinkage is minimized in this valve because the packing is located up in the bonnet, away from the media flow path.

PTFE chevron packing rings

Lantern ring

PTFE chevron packing rings

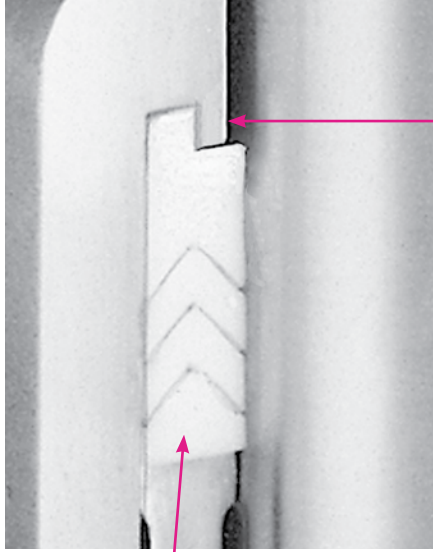
Secondary and tertiary stem sealing.

Double packing sets of PTFE chevron rings are separated by a lantern ring.

The packing is placed away from the flow media to minimize the effects of thermal cycling.

Easy to insulate.

The extended bonnet allows several inches of insulation to be placed around all valve sizes while packing adjustment remains fully accessible.

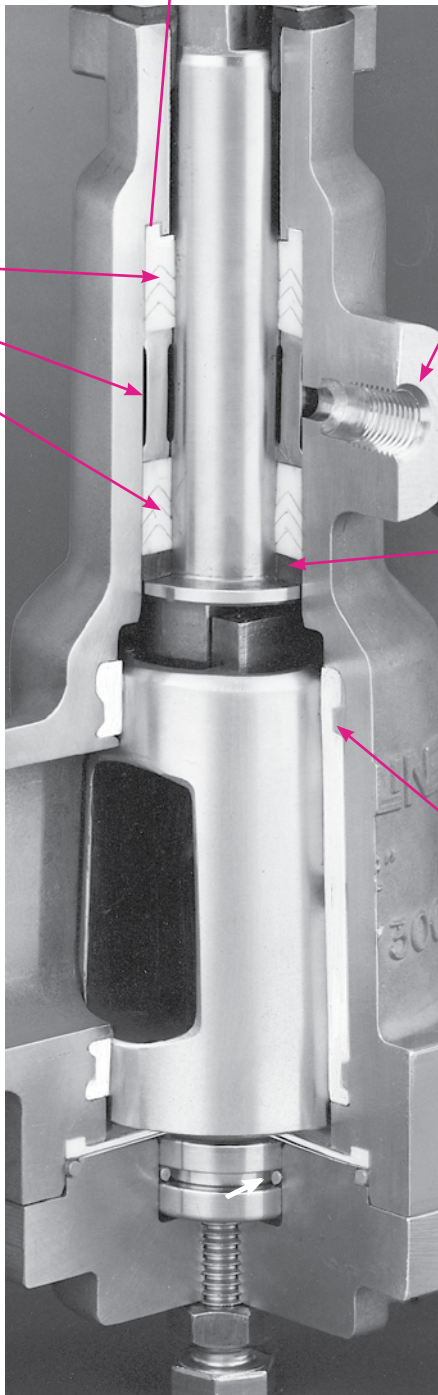


A patented shrink-seal lip helps stop fugitive emissions.

Temperature changes cause unequal expansion and contraction of valve components and sealing elements. With thermal cycling, packing shrinkage often leads to leakage along the stem.

With the patented Tuflin design, radial shrinkage of the packing actually tightens the seal. An overhanging lip is machined into the interior bore of the body.

Radial shrinkage of the packing causes the packing to tighten inward against the lip, preventing leakage to the atmosphere.



Monitoring/Injection port.

As an option, the packing chamber is available with a port for monitoring packing integrity or for grease injection.

Graphite-filled PTFE ring.

A graphite-filled PTFE ring prevents extrusion of the PTFE packing. It acts as a bearing between the packing and the stem base as well as between the stem and bonnet wall.

Primary stem sealing.

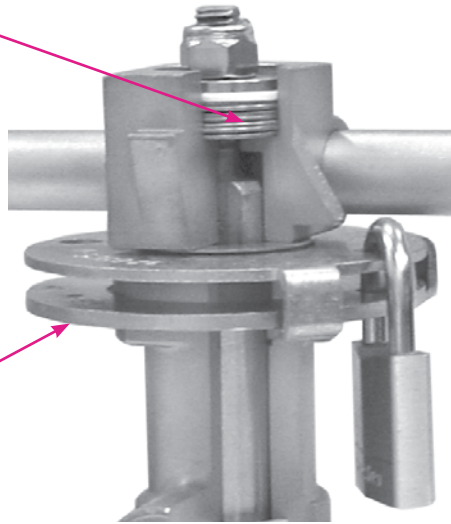
The first seal against stem leakage is accomplished by the PTFE sleeve, where it encircles the top of the plug. This means that the two stem packing sets are actually secondary and tertiary external seals.

Live loading for continuous sealing.

The set of spring washers, located in the valve hub, provide a constant, uniform load on the packing.

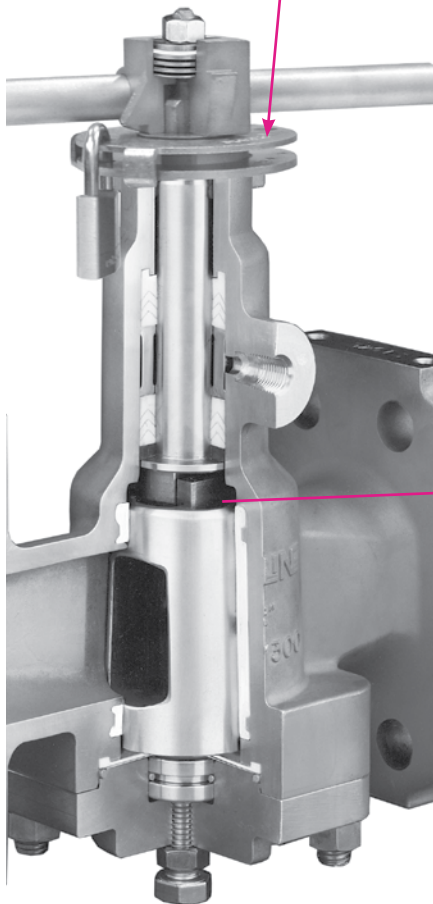
Live loading compensates for expansion and contraction of the PTFE packing that is caused by temperature fluctuations.

Locking Device Standard



Separate, accessible, easy sealing adjustment.

Individual adjustment of the in-line seal and the stem seal assure maximum control, flexibility, and longer service life.



An independent plug and stem eliminate side loading on the packing.

In valves with a one-piece plug and stem, differential pressure against the plug of a valve can cause the stem to lose concentricity within the packing. This causes uneven stem pressure against the packing and leak paths can develop.

In this valve, the stem is independent of the plug. A compensator, located between the stem and plug, keeps any differential pressure on the plug from affecting the stem's concentricity.



Stem

Compensator

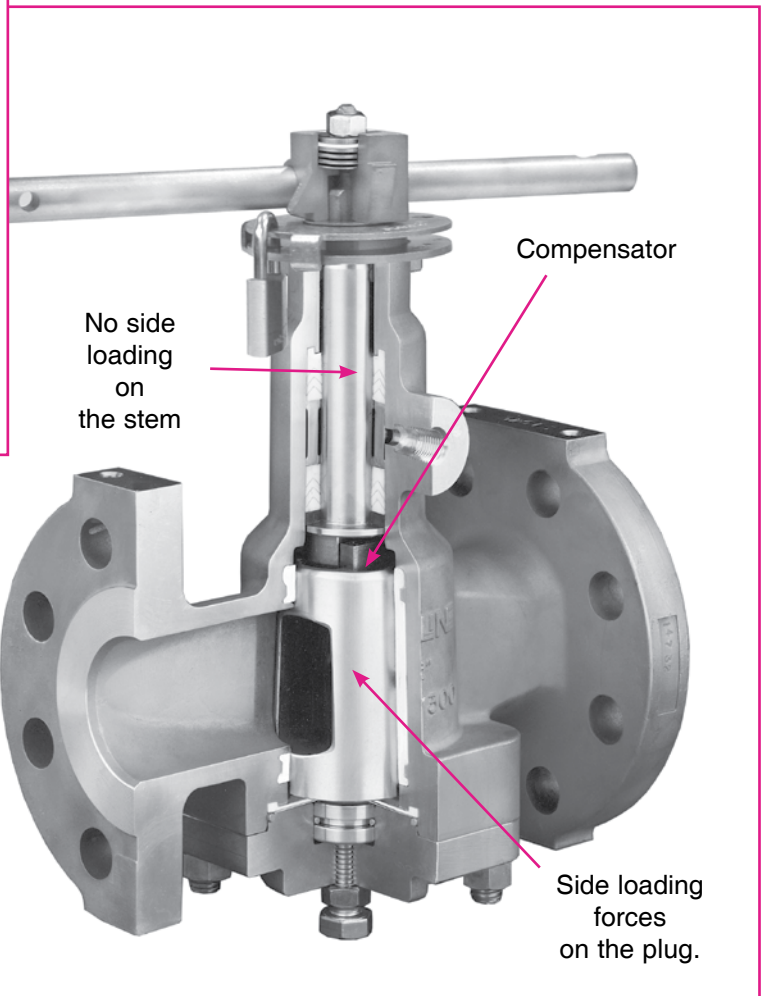
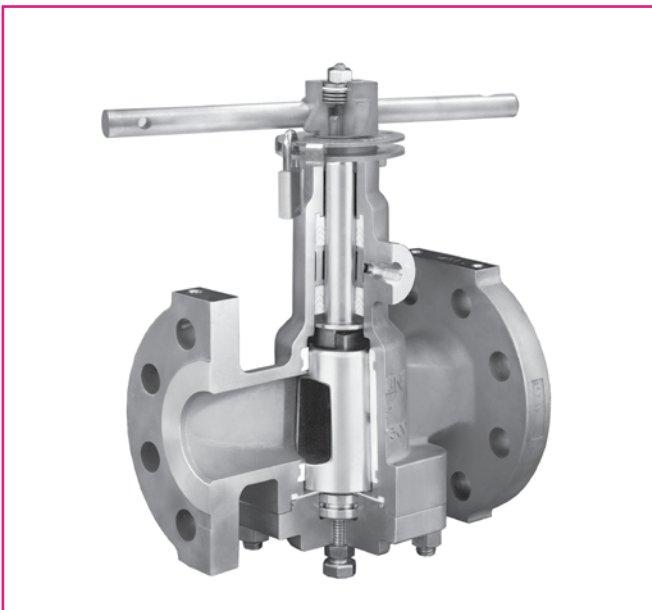
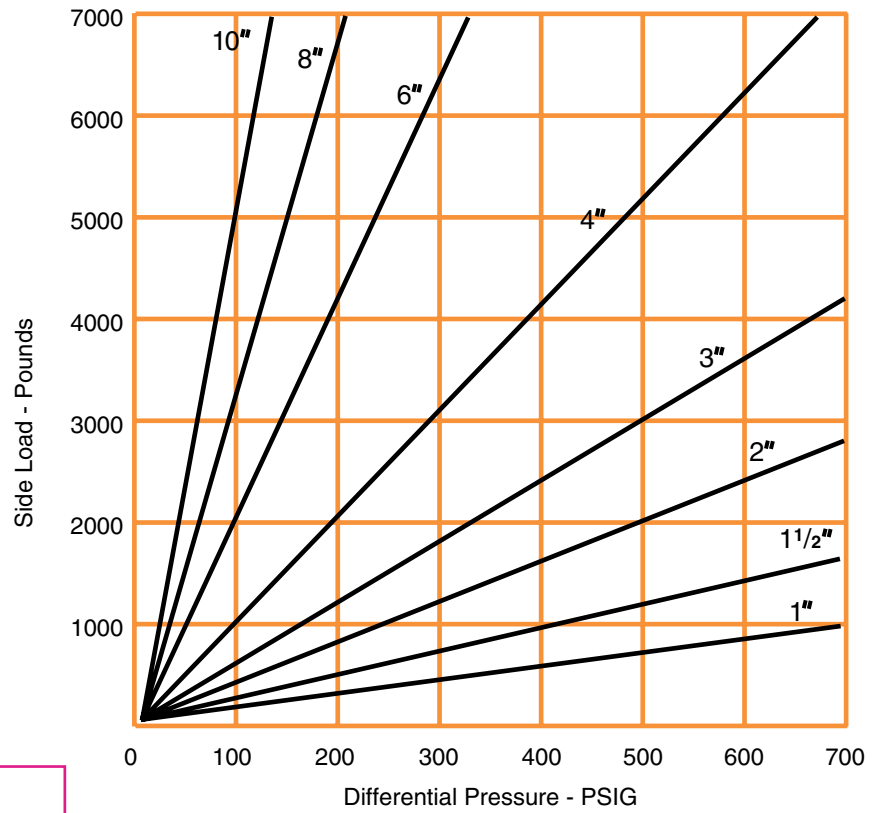
Plug

There is no side loading of the stem against the packing so leakage to the atmosphere is less likely to occur.

Overcoming powerful side loading forces that create leak paths.

This chart illustrates the typical side loading forces created on a one-piece plug and stem. This force can plug and deform the stem packing, causing leak paths to develop.

The Tufline Severe Service valve overcomes this problem



Redundant sealing assures integrity of the bottom cover seal.

Where the sleeve encircles the plug, the primary bottom seal is established.

The PFA diaphragm provides a secondary seal.

The machined counter-bore of the valve body provides a wide, serrated surface for extended sealing contact with the diaphragm.

The compression of the diaphragm between the body and the bottom cover is precisely controlled.

The edge of the diaphragm and the valve body have interlocking thermal shrink-seal lips. Temperature changes cause unequal expansion and contraction of the body and the diaphragm.

Because of the interlocking lips in the Tuffline Severe Service valve, differential shrinkage of the body and diaphragm actually tighten the seal.

A metal diaphragm supports the PFA diaphragm and provides the contact for the plug adjustment button.

Two PFA encapsulated silicone O-rings are tertiary sealing elements. They are located at the cover-to-body joint and in a groove in the plug adjustment button.

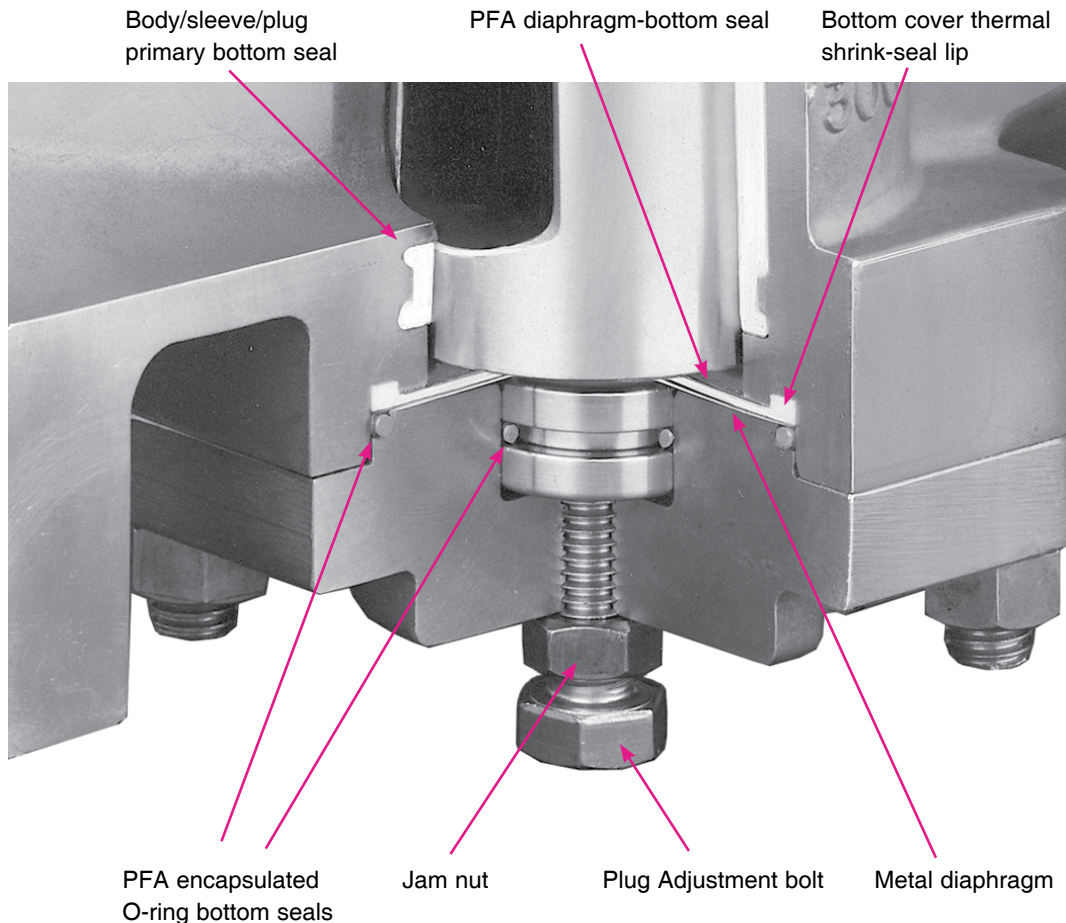
Metal to metal contact between the cover and body helps assure tightness of cover bolts under thermal cycling.

Easily adjusted in-line sealing.

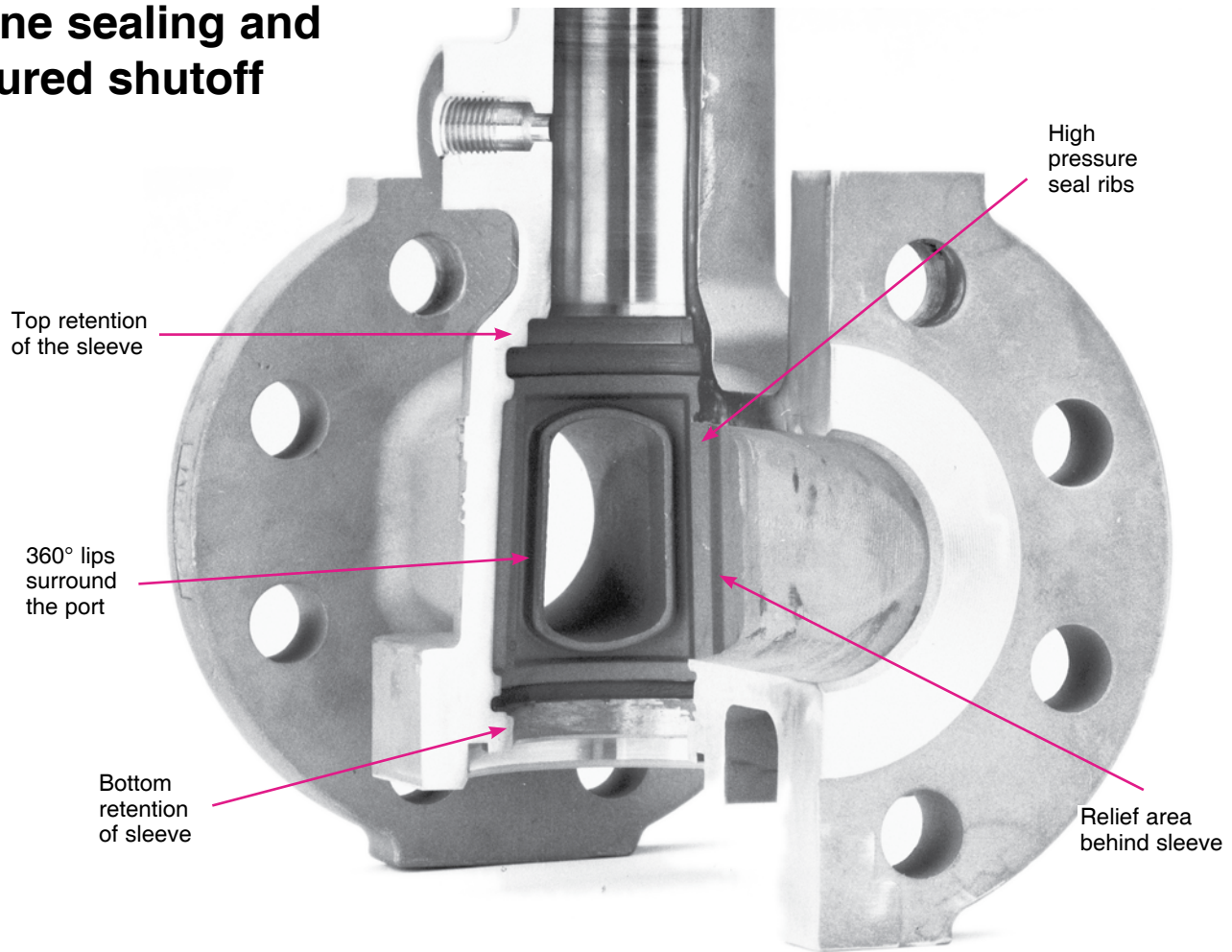
To adjust the in-line seal, loosen the jam nut on the valve bottom and turn the adjusting bolt clockwise. This action puts upward pressure on the tapered plug.

The upward thrust of the plug concentrates compression of the sleeve between the plug and body ribs.

The plug acts as a wedge, pressing the sleeve against the body, assuring a uniformly tight seal.



In-line sealing and assured shutoff



Body, plug, and sleeve work together for a tight in-line seal.

The PTFE sleeve completely surrounds the plug. The sleeve provides a fully circumferential, port-to-port sealing surface.

Self lubrication.

The PTFE sleeve has a low coefficient of friction, allowing it to act like a lubricant.

Enhanced shutoff reliability.

Even after being left open or closed without maintenance for extended periods of time, this self-lubricating design provides assurance that the valve will virtually never “stick”. This operating reliability can be vital in emergency shutoff situations.



360° lips clean and protect

These lips surround the valve ports and are an integral part of the precision body casting. These port defining lips improve valve performance and extend service life by:

- Breaking up and removing adhering, scaly deposits from the outer surface of the plug as it rotates.
- Protecting the sleeve from erosion.
- Preventing cold flow deformation and blowout.
- Eliminating sleeve rotation.

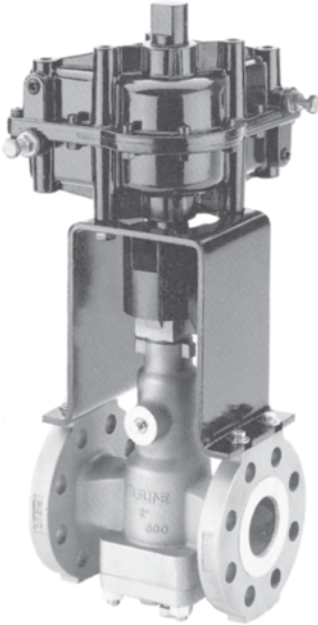
Ribs enhance in-line sealing.

For improved sealing, compression of the sleeve is concentrated between the raised rib areas and the plug. Relief areas are cast into the body between the ribs to allow for expansion of the sleeve.

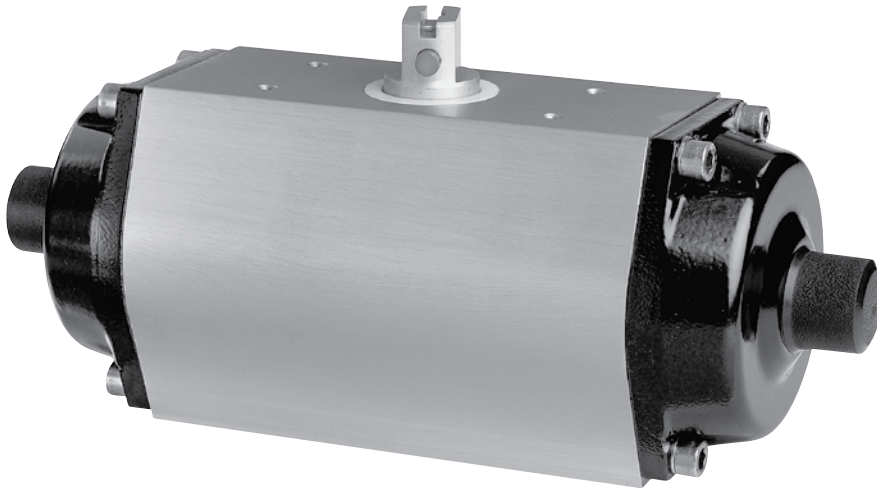
Methods of operation.

Quarter-turn Tufline Severe Service valves are easy to actuate and automate. Valve sizes 1/2 through 3 inch are supplied as wrench operated with locking devices. Enclosed gear actuators are optional on these sizes.

On sizes 4 inch and larger, gear operators with locking devices are standard. A variety of on/off actuating systems are available in pneumatic, hydraulic, or electric models. Actuators are easily and securely mounted on the flanges.



Matryx vane double acting actuators.



Matryx Rack & Pinion actuators



Matryx limit switch module.

Technical data.

Typical applications.

- Chlorine
- Hydrochloric acid
- Hydrofluoric acid
- Phosgene

For other applications, consult factory.

Chlorine service.

Tufline Severe Service valves designated for chlorine service will be supplied with vented plugs. These valves are thoroughly cleaned and dried per internal Xomox chlorine cleaning standards, and are sealed and packaged in plastic containers. The valves will meet requirements of the Chlorine Institute.

Vacuum service.

Tufline Severe Service valves are suitable for vacuum service to as low as .01 microns in absolute pressure. However, special cleaning is required to achieve this rating.

End connections.

ANSI Class 150, Class 300 and Class 600 raised face flanges.

Optional features.

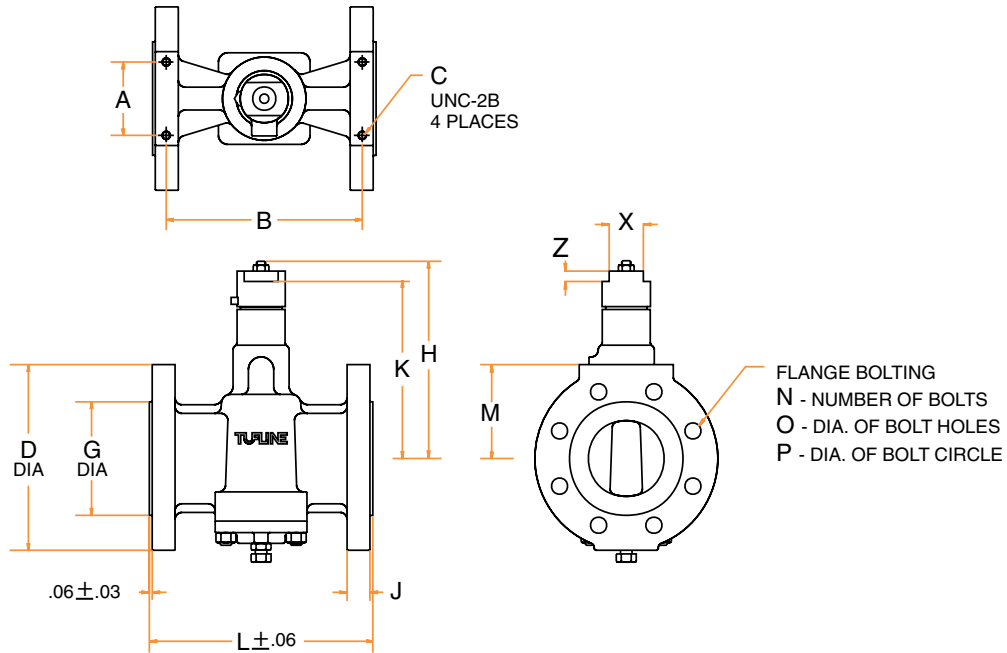
Grease injection connection in packing area. Leak detection port above packing area. Lantern ring purge connection.

Custom designs and modifications.

The products in this catalog may be obtained in other sizes and materials from the Xomox Special Products Group, which offers design, engineering and manufacturing services for custom products and modifications.

Severe Service Sleeved Plug Valve Dimensions

Dimensions are in inches.
Weights (Wt.) are in pounds
and are approximate.



Class 150 . . . Figure **097**

| Size | L | D | G | H | K | J | M | X | Z | N | O | P | A | B | C | Wt. |
|-------|-------|-------|-------|-------|-------|------|------|-------|------|-----|------|-------|-------|--------|--------------------|-----|
| 1/2 | 4.63 | 3.88 | 1.38 | 4.91 | 3.50 | .41 | 1.94 | 1.874 | 0.56 | 4 | .63 | 2.38 | 1.750 | 4.063 | 1/4 - 20 x .63 | 14 |
| 3/4 | 4.63 | 3.88 | 1.69 | 4.91 | 3.50 | .41 | 1.94 | 1.874 | 0.56 | 4 | .63 | 2.75 | 1.750 | 4.063 | 1/4 - 20 x .63 | 14 |
| 1 | 5.00 | 4.25 | 2.00 | 8.09 | 6.50 | .44 | 2.13 | 1.874 | 0.56 | 4 | .63 | 3.13 | 1.750 | 4.438 | 5/16 - 18 x .63 | 18 |
| 1 1/2 | 6.50 | 5.00 | 2.88 | 8.43 | 6.84 | .56 | 2.50 | 1.874 | 0.56 | 4 | .63 | 3.88 | 1.750 | 5.750 | 5/16 - 18 x .63 | 25 |
| 2 | 7.00 | 6.50 | 3.62 | 8.81 | 7.22 | .88 | 3.25 | 1.874 | 0.56 | 4 | .75 | 4.75 | 2.250 | 6.312 | 5/16 - 18 x .63 | 36 |
| 3 | 8.00 | 7.50 | 5.00 | 9.47 | 7.88 | .75 | 3.75 | 1.874 | 0.56 | 4 | .75 | 6.00 | 3.500 | 7.125 | 3/8 - 16 x .63 | 75 |
| 4 | 9.00 | 9.00 | 6.19 | 11.00 | 9.66 | .94 | 4.50 | 1.864 | 0.56 | 8 | .75 | 7.50 | 4.000 | 8.000 | 7/16 - 14 x .63 | 82 |
| 6 | 10.50 | 11.00 | 8.50 | 12.12 | 10.71 | 1.00 | 5.50 | 1.864 | 0.56 | 8 | .91 | 9.50 | 4.000 | 9.44 | 7/16 - 14 x .63 | 105 |
| 8 | 11.50 | 13.50 | 10.63 | 13.58 | 12.06 | 1.12 | 6.75 | 1.990 | 0.56 | 8* | .88 | 11.75 | 5.500 | 10.188 | 1/2 - 13 x .63 | 185 |
| 10 | 13.00 | 16.00 | 12.75 | 14.80 | 13.30 | 1.25 | 8.00 | 1.990 | 0.56 | 12† | 1.00 | 14.25 | 5.500 | 11.562 | 1/2 - 13 x .63 | 285 |
| 12 | 14.00 | 19.00 | 15 | 17.44 | 15.33 | 1.25 | 9.50 | 1.990 | 1.25 | 12† | 1.00 | 17.00 | 6.00 | 12.530 | 1/2 - 13 x 1.00 | 425 |

* 2 top and 2 bottom holes in each flange are tapped for 3/4 - 10 UNC threads.

† 2 top and 2 bottom holes in each flange are tapped for 7/8 - 9 UNC threads.

ASTM designations

| | |
|--------------|-----------------|
| Monel | ASTM A494 M-30C |
| Hastelloy C | ASTM A494 CW6M |
| Alloy 20 | ASTM A351 CN7M |
| Carbon Steel | ASTM A352 LCB |
| 316SS | ASTM A351 CF8M |

Cv factors for valve sizing

| | | | | | | |
|------|-----|-----|----|-------|-----|-----|
| Size | 1/2 | 3/4 | 1 | 1 1/2 | 2 | 3 |
| Cv | 9 | 9 | 43 | 89 | 172 | 294 |

| | | | | | |
|------|-----|------|------|------|------|
| Size | 4 | 6 | 8 | 10 | 12 |
| Cv | 548 | 1075 | 1591 | 2159 | 3200 |

Class 300 . . . Figure **0397**

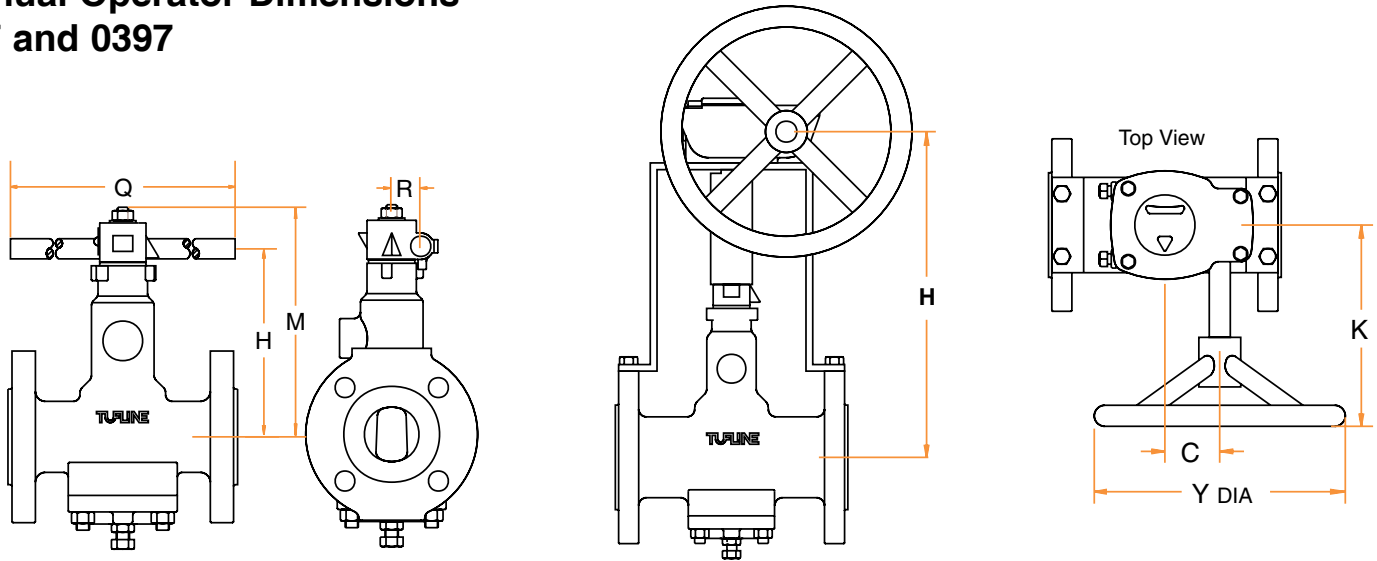
| Size | L | D | G | H | K | J | M | X | Z | N | O | P | A | B | C | Wt. |
|-------|-------|-------|-------|-------|-------|------|-------|-------|------|------|------|-------|-------|--------|--------------------|-----|
| 1/2 | 6.00 | 4.63 | 1.38 | 4.91 | 3.50 | .63 | 2.31 | 1.874 | .56 | 4 | .62 | 2.62 | 1.750 | 5.312 | 1/4 - 20 x .63 | 17 |
| 3/4 | 6.00 | 4.63 | 1.69 | 4.91 | 3.50 | .63 | 2.31 | 1.874 | .56 | 4 | .75 | 3.25 | 1.750 | 5.312 | 1/4 - 20 x .63 | 17 |
| 1 | 6.50 | 4.88 | 2.00 | 8.09 | 6.50 | .69 | 2.44 | 1.874 | .56 | 4 | .75 | 3.50 | 1.750 | 5.750 | 5/16 - 18 x .63 | 22 |
| 1 1/2 | 7.50 | 6.12 | 2.88 | 8.43 | 6.84 | .81 | 3.06 | 1.874 | .56 | 4 | .88 | 4.50 | 1.750 | 6.625 | 5/16 - 18 x .63 | 31 |
| 2 | 8.50 | 6.50 | 3.62 | 8.81 | 7.22 | .88 | 3.25 | 1.874 | .56 | 8 | .75 | 5.00 | 2.250 | 7.562 | 5/16 - 18 x .63 | 44 |
| 3 | 11.13 | 8.25 | 5.00 | 9.47 | 7.88 | 1.12 | 4.12 | 1.874 | .56 | 8 | .88 | 6.62 | 3.500 | 9.937 | 3/8 - 16 x .63 | 87 |
| 4 | 12.00 | 10.00 | 6.19 | 11.00 | 9.66 | 1.25 | 5.13 | 1.864 | .56 | 8 | .88 | 7.88 | 4.000 | 10.688 | 7/16 - 14 x .63 | 97 |
| 6 | 15.88 | 12.50 | 8.50 | 12.12 | 10.71 | 1.44 | 6.25 | 1.864 | .56 | 12 | .88 | 10.62 | 4.000 | 14.000 | 7/16 - 14 x .63 | 175 |
| 8 | 16.50 | 15.00 | 10.63 | 13.25 | 12.06 | 1.63 | 7.50 | 1.990 | .56 | 12* | 1.00 | 13.00 | 5.500 | 14.630 | 1/2 - 13 x .63 | 275 |
| 10 | 18.00 | 17.50 | 12.75 | 14.50 | 13.31 | 1.88 | 8.75 | 1.990 | .56 | 16† | 1.13 | 15.25 | 5.500 | 15.690 | 1/2 - 13 x .63 | 420 |
| 12 | 19.75 | 20.50 | 15 | 17.44 | 15.33 | 2.00 | 10.38 | 1.990 | 1.25 | 16** | 1.25 | 17.75 | 6.000 | 17.380 | 5/8 - 11 x 1.00 | 605 |

* 2 top and 2 bottom holes in each flange are tapped for 7/8 - 9 UNC threads.

† 2 top and 2 bottom holes in each flange are tapped for 1 - 8 UNC threads.

** 2 top and 2 bottom holes in each flange are tapped for 1 1/8 - 8 UNC threads.

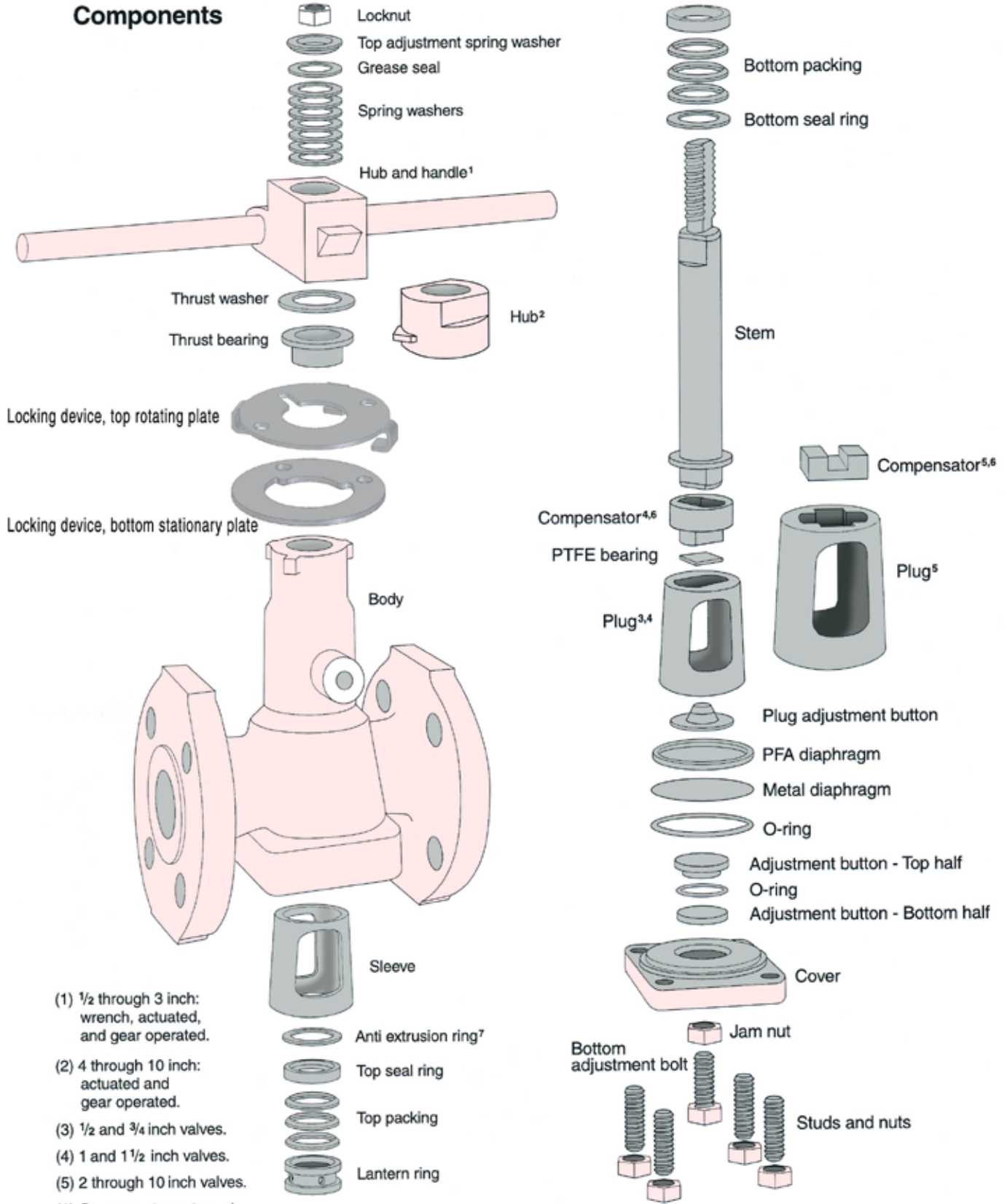
**Manual Operator Dimensions
097 and 0397**



| Size | H | M | Q | R |
|-------|------|------|-------|------|
| 1/2 | 3.50 | 4.91 | 11.25 | .75 |
| 3/4 | 3.50 | 4.91 | 11.25 | .75 |
| 1 | 6.50 | 8.09 | 12.50 | 1.16 |
| 1 1/2 | 6.84 | 8.43 | 12.50 | 1.16 |
| 2 | 7.22 | 8.81 | 18.00 | 1.28 |
| 3 | 7.88 | 9.47 | 24.00 | 1.28 |

| Size | H | K | C | Y |
|-------|-------|-------|------|-------|
| 1 | 11.76 | 9.63 | 2.62 | 12.00 |
| 1 1/2 | 12.11 | 9.63 | 2.62 | 12.00 |
| 2 | 12.52 | 9.63 | 2.62 | 12.00 |
| 3 | 13.18 | 9.63 | 2.62 | 12.00 |
| 4 | 14.57 | 11.13 | 3.50 | 18.00 |
| 6 | 15.88 | 13.43 | 3.50 | 24.00 |
| 8 | 17.37 | 13.43 | 3.50 | 30.00 |
| 10 | 18.62 | 14.25 | 5.38 | 30.00 |
| 12 | 24.00 | 18.58 | 5.50 | 24.00 |

Components



- (1) 1/2 through 3 inch: wrench, actuated, and gear operated.
- (2) 4 through 10 inch: actuated and gear operated.
- (3) 1/2 and 3/4 inch valves.
- (4) 1 and 1 1/2 inch valves.
- (5) 2 through 10 inch valves.
- (6) Compensator not used on 1/2 and 3/4 inch valves
- (7) 2 inch and above

Materials of construction

| Valve Part | WCB/316/ 316/WCB | HC/HC/HC (Chlorine) | MO/MO/HC (Chlorine) | LCB/MO/HC (Chlorine) | A20/HC/HC | 316/MO/HC | 316/316/316 |
|---------------------------------|---------------------|------------------------|------------------------|-------------------------|-------------|-------------|-------------|
| Body* | WCB | Hastelloy C | Monel | LCB | Alloy 20 | 316SS | 316SS |
| Plug | 316SS | Hastelloy C | Monel | Monel | Hastelloy C | Monel | 316SS |
| Stem | 316SS | Hastelloy C | Hastelloy C | Hastelloy C | Hastelloy C | Hastelloy C | 316SS |
| Cover | WCB | Hastelloy C | Monel | LCB | Alloy 20 | 316SS | 316SS |
| Cover bolting † | B7** | B7** | B7** | B7** | B7** | B7** or B8 | B8 |
| Lantern ring | Hastelloy C | Hastelloy C | Hastelloy C | Hastelloy C | Hastelloy C | Hastelloy C | Hastelloy C |
| Metal diaphragm | Hastelloy C | Hastelloy C | Hastelloy C | Hastelloy C | Hastelloy C | Hastelloy C | Hastelloy C |
| Bottom adjustment button | 304SS | Hastelloy C | Monel | Carbon Steel | Alloy 20 | 304SS | 304SS |
| Bottom adjustment bolt | 304SS | Monel | Monel | Monel | 304SS | 304SS | 304SS |
| Jam nut | 304SS | Monel | Monel | Monel | 304SS | 304SS | 304SS |

* Optional connection for grease injection - lantern ring port will be furnished as 1/4-inch NPT female with solid pipe plug of similar material to valve body with PTFE tape thread sealant.

** PTFE coated.

† Other material combinations and cover bolting materials are available upon request.

| | |
|-------------------------------------|------------------------------------|
| Locknut | Hastelloy C or 316 stainless steel |
| Top adjustment spring washer | Stainless steel |
| Grease seal | PTFE |
| Spring washers | Inconel |
| Hub | CD4MCu |
| Thrust bearing | 35% graphite PTFE |
| Sleeve | PTFE |
| Top seal ring | PTFE |
| Packing rings | PTFE |
| Bottom seal ring | 35% graphite PTFE |
| Compensator | Hastelloy C |
| Compensator bearing | PTFE |
| Plug adjustment button | PTFE |
| Diaphragm | PFA |
| Locking Device | Stainless Steel |

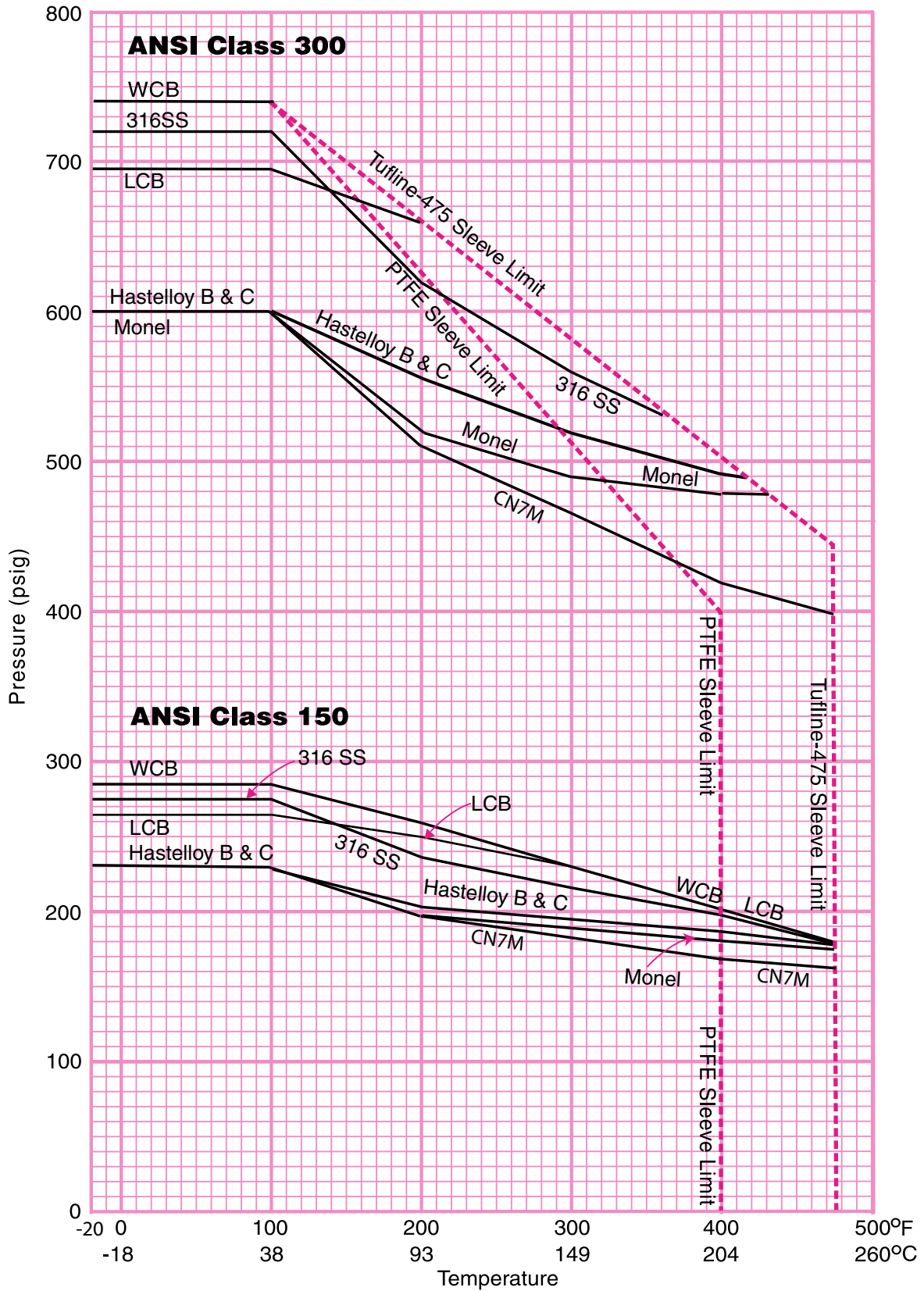
Operating Torques* Severe Service valves with PTFE sleeves

| Valve Size | Break Torque ft-lb | Seat Torque ft-lb | Run Torque ft-lb |
|------------|--------------------|-------------------|------------------|
| 1/2 | 19 | 11 | 10 |
| 3/4 | 19 | 11 | 10 |
| 1 | 55 | 34 | 28 |
| 1 1/2 | 110 | 69 | 55 |
| 2 | 151 | 89 | 76 |
| 3 | 165 | 96 | 83 |
| 4 | 330 | 199 | 165 |
| 6 | 688 | 413 | 344 |
| 8 | 1073 | 646 | 536 |
| 10 | 1980 | 1183 | 990 |
| 12 | 2888 | 1733 | 1444 |

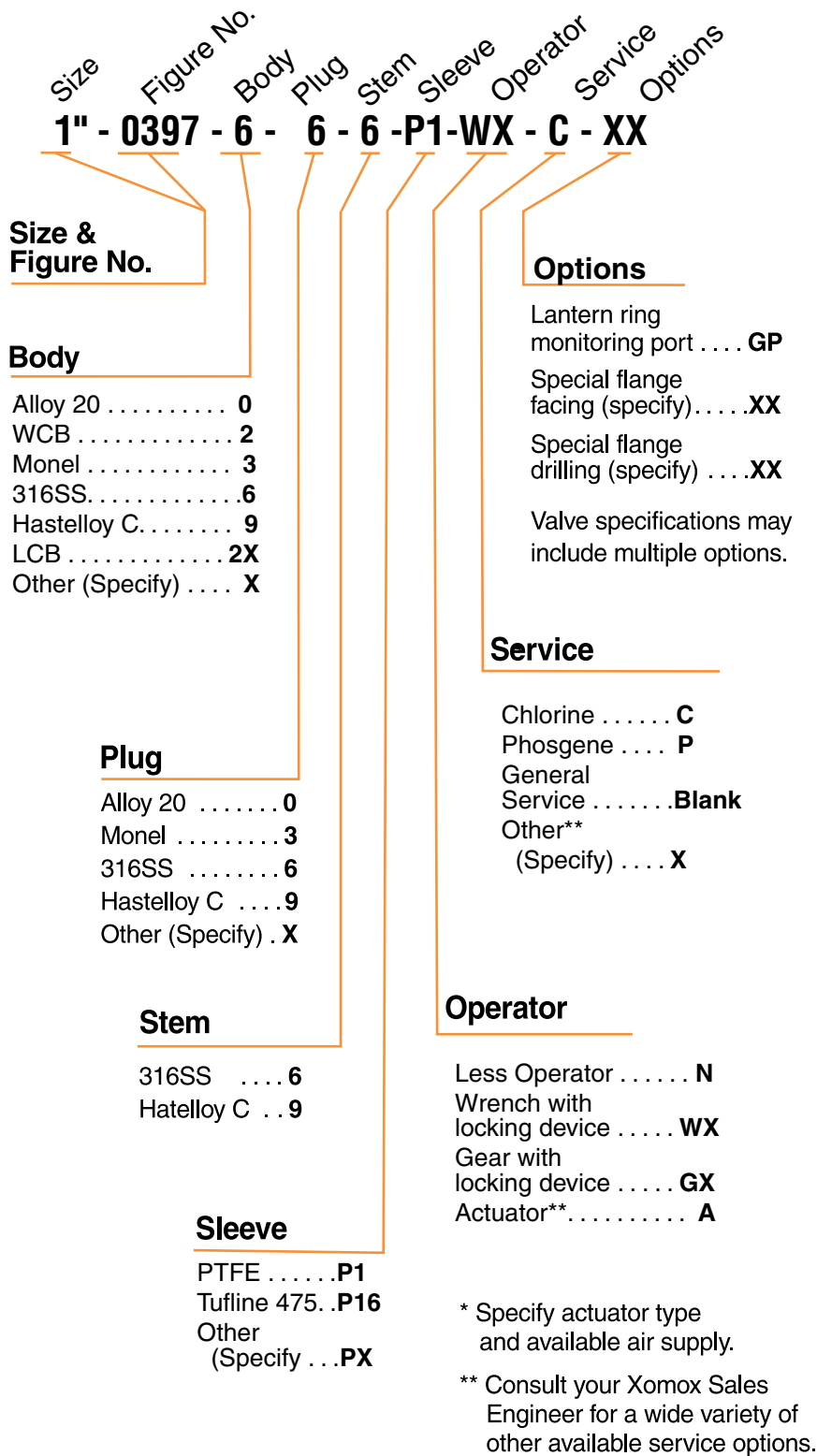
*Since most Tufline Severe Service valves are cleaned for chlorine service, torque values may be higher.

Pressure Temperature Ratings

Based on ANSI B16.34, 2004 Edition



How to order



Product responsibility.

Crane Co., and its subsidiaries cannot accept responsibility for possible errors in catalogues, brochures, other printed materials, and website information. Crane Co. reserves the right to alter its products without notice, including products already on order provided that such alteration can be made without changes being necessary in specifications already agreed. All their trademarks in this material are property of the Crane Co. or its subsidiaries. The Crane and Crane brands logotype (Xomox[®], Saunders[®], Resistoflex[®], Resistopure[™], PSI[®], DEPA[®], ELRO[®], REVO[®]) are registered trademarks of Crane Co. All rights reserved.

XOMOX®

CRANE ChemPharma Flow Solutions™

XOMOX Headquarters
4444 Cooper Road,
Cincinnati, OH 45242, U.S.A.
Tel.: (513) 745-6000
Fax: (513) 745-6086

XOMOX International GmbH & Co.
Von-Behring-Straße 15,
D-88131 Lindau/Bodensee
Tel.: (49) 8382-702-0
Fax: (49) 8382-702-144

CRANE

ChemPharma Flow Solutions



brands you trust.

CRANE ChemPharma Flow solutions Include: Pipe - Valves - Fitting - Actuators - Pumps

DEPA®

PSI™
LINE PIPE SYSTEMS

ResistoPure™

Saunders®
the science inside 

ELRO®

RESISTOFLEX®

revo®

XOMOX®

CP-XOMOX-SPV(SSV)-BU-EN-CI-7/09-PN329734

Crane Co., and its subsidiaries cannot accept responsibility for possible errors in catalogues, brochures, other printed materials, and website information. Crane Co. reserves the right to alter its products without notice, including products already on order provided that such alteration can be made without changes being necessary in specifications already agreed. All their trademarks in this material are property of the Crane Co. or its subsidiaries. The Crane and Crane brands logotype (Xomox®, Saunders®, Resistoflex®, Resistopure™, PSI®, DEPA®, ELRO®, REVO®) are registered trademarks of Crane Co. All rights reserved.